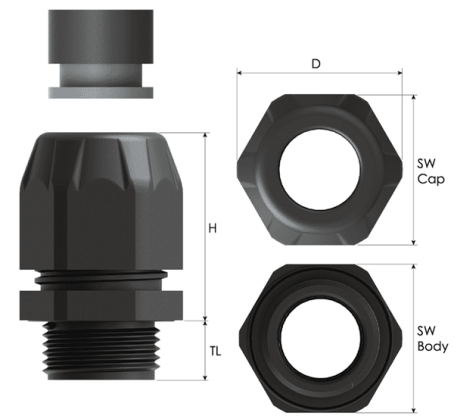


Product Info

High Impact Polyamide Glands for Ex e Applications

M20x1,5 / 6,0-10,0mm / TL=10,0mm

EHIBM-SX2



Images might not be representative of the actual colour, size or shape of the product listed



File Number	Standard
IMQ 13 ATEX 010X	EN 60079-0:2012+A11:2013, EN 60079-1:2014, EN 60079-7:2015, EN 60079-31:2014
IECEx IMQ 13.0003X	IEC 60079-0:2011 ; IEC 60079-7:2006-07 ; IEC 60079-31:2013
No TC RU C-TR.AA87.B.00941	ГОСТ 31610.0-2014 ГОСТ IEC 60079-1:2013 ГОСТ IEC 60079-31:2013
DNV 18.0150 X	ABNT NBR IEC 60079-0:2013, ABNT NBR IEC 60079-7:2008 ABNT NBR IEC 60079-31:2011
TAE00003WV	IEC/EN60079-0, IEC/EN60079-7, IEC/EN60079-31 IEC/EN 62444

Technical Details					
Material	Body , Cap	PA 6 (Polyamide 6)			
	Seal	CR (Chloroprene) , Silicone			
Ingress Protection Rating		IP 68 - 5 Bar, 30 min			
		IP 66			
Operating Temperature	Seal Material				
		<table border="1"> <thead> <tr> <th>CR (Chloroprene)</th> <th>Silicone</th> </tr> </thead> <tbody> <tr> <td>-40°C to +70°C</td> <td>-60°C to +70°C</td> </tr> </tbody> </table>	CR (Chloroprene)	Silicone	-40°C to +70°C
CR (Chloroprene)	Silicone				
-40°C to +70°C	-60°C to +70°C				
Ex e/tb / Ex tb / Ex-i					
Equipment For		Gas & Dust potentially explosive atmospheres			
		Cable glands should be also used for intrinsically safe circuits Ex-i.			
Suitable for use in		These cable glands shall have a light blue colored cap. The symbol "I" will - be added beside of the "EHIBM" for order processing.			
		Group II Gas Group IIC ZONE1 /ZONE2			
Equipment Marking		Group III Dust Group IIIC ZONE21 /ZONE 22			
		Ex II 2GD			
Marking Example *		Ex eb IIC Gb Ex tb IIIC Db			
		BMD EHIBM-X.. CE 0722 (E) II 2GD Ex eb IIC Gb Ex tb IIIC Db			
Impact Test Result		Ta-40°C to +70°C IP66/68 IECEx IMQ 13.0003X IMQ 13 ATEX 010X			
Thread Type		7J			
Cable Type		Metric (M) ISO Pitch 1,5			
		Other thread types also available upon request.			
Accessories		Non Armoured			
		Lock nuts			
		Gaskets (Washers)			
		Dome plugs			
		Double Seals			
Remarks		Dust Plugs			
		We recommend the use of locknuts and gaskets to ensure IP rating for rough surfaces or through holes.			
		Accessories must be ordered separately.			
Outer		* The standard marking consists ATEX & IECEx only.			
	Thread Size (Male)	M20x1,5			
	Thread Length (TL)	10,0 mm			
	Ø (D)	27,5 mm			
Clamping Range	Outer Sheath Ø min - max	6,0 - 10,0 mm			
	Seal Type	Single			
Spanner Width	Cap	22 mm			
	Body	24 mm			
max. Height (H)		37,2 mm			
Part Number		EHIBM-SX2			

