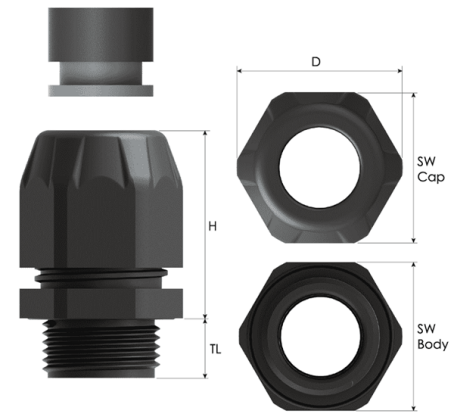


Product Info

High Impact Polyamide Glands for Ex e Applications

M16x1,5 / 5,0-8,0mm / TL=10,0mm

EHIBM-SX1



Images might not be representative of the actual colour, size or shape of the product listed

File Number	Standard
IMQ 13 ATEX 010X	EN 60079-0:2012+A11:2013, EN 60079-1:2014, EN 60079-7:2015, EN 60079-31:2014
IECEX IMQ 13.0003X	IEC 60079-0:2011 ; IEC 60079-7:2006-07 ; IEC 60079-31:2013
No TC RU C-TR.AA87.B.00941	ГОСТ 31610.0-2014 ГОСТ IEC 60079-1:2013 ГОСТ IEC 60079-31:2013
DNV 18.0150 X	ABNT NBR IEC 60079-0:2013, ABNT NBR IEC 60079-7:2008 ABNT NBR IEC 60079-31:2011
TAE00003WV	IEC/EN60079-0, IEC/EN60079-7, IEC/EN60079-31 IEC/EN 62444



Technical Details					
Material	Body , Cap	PA 6 (Polyamide 6)			
	Seal	CR (Chloroprene) , Silicone			
Ingress Protection Rating		IP 68 - 5 Bar, 30 min			
		IP 66			
Operating Temperature	Seal Material				
		<table border="1"> <tr> <th>CR (Chloroprene)</th> <th>Silicone</th> </tr> <tr> <td>-40°C to +70°C</td> <td>-60°C to +70°C</td> </tr> </table>	CR (Chloroprene)	Silicone	-40°C to +70°C
CR (Chloroprene)	Silicone				
-40°C to +70°C	-60°C to +70°C				
Ex e/tb / Ex tb / Ex-i	Equipment For	Gas & Dust potentially explosive atmospheres Cable glands should be also used for intrinsically safe circuits Ex-i. These cable glands shall have a light blue colored cap. The symbol "I" will be added beside of the "EHIBM" for order processing.			
Suitable for use in		Group II Gas Group IIC ZONE1 /ZONE2 Group III Dust Group IIIC ZONE21 /ZONE 22			
Equipment Marking		Ex II 2GD Ex eb IIC Gb Ex tb IIIC Db			
Marking Example *		BMD EHIBM-X.. CE 0722 (E) II 2GD Ex eb IIC Gb Ex tb IIIC Db Ta-40°C to +70°C IP66/68 IECEx IMQ 13.0003X IMQ 13 ATEX 010X			
Impact Test Result		7J			
Thread Type		Metric (M) ISO Pitch 1,5 Other thread types also available upon request.			
Cable Type		Non Armoured			
Accessories		Lock nuts			
		Gaskets (Washers)			
		Dome plugs			
		Double Seals			
		Dust Plugs			
Remarks		We recommend the use of locknuts and gaskets to ensure IP rating for rough surfaces or through holes. Accessories must be ordered separately. * The standard marking consists ATEX & IECEx only.			
Outer	Thread Size (Male)	M16x1,5			
	Thread Length (TL)	10,0 mm			
	Ø (D)	21,3 mm			
Clamping Range	Outer Sheath Ø min - max	5,0 - 8,0 mm			
	Seal Type	Single			
Spanner Width	Cap	19 mm			
	Body	19 mm			
max. Height (H)		33,6 mm			
Part Number		EHIBM-SX1			

